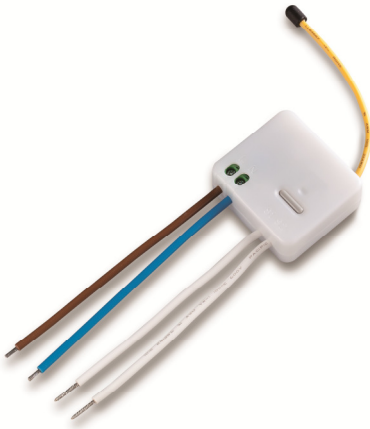


# HAC01 In Wall Remote Module



Z-Wave series



## Features

- Adopt Z-Wave protocol to secure the success of wireless two way communication
- Very small size
- Easy install
- Option external Antenna to extend the RF range
- Very low power consumption , meet Europe year 2012 energy-related products requirement directive 2009/125/EC no. 1275/2008
- Wide AC 100~240V operating range
- Z-Wave V4.5 support Auto inclusion
- LVD:EN 60669-2-1:2004+A1:2009+A12:2010, EN 60669-2-2 :2006, EN 60669-1:1999+A1:2002+A2:2008+IS1:2009
- R&TTE : EN 301489, EN 300200, FCC part15B+C



## Introduction

This in-wall remote module is a transceiver which is a Z-Wave™ enabled device and is fully compatible with any Z-Wave™ enabled network. Mini size design let the module can easily put into the wall box and still have enough space to install the traditional wall switch. There are many application for the module , one application is connect the 2 wire of manual switch input to most of the wall switch sell in the market , while the connected wall switch been switched ON or OFF , the module will send the correspond signal to the associated devices like Z-Wave switch module HAN01 or any Z-Wave ON/OFF or dimmer module . Another application is connect this module to any traditional wire sensor which has NC/NO manual switch input output, and this will easily convert those wire sensors into wireless Z-wave sensors. With the external antenna let this module have excellent communicate RF range, and this will let the module not only send signal to the associated device by itself easily but also act as a good routing node in the z-wave mesh netw

## Specification

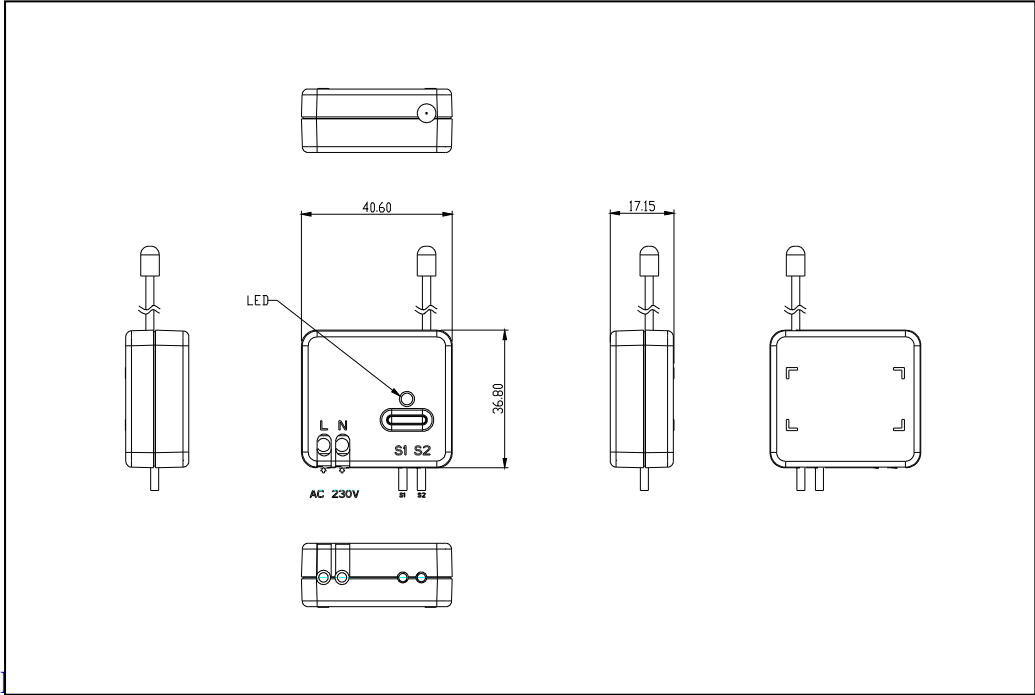
Power	No load standby power Input voltage	0.35W (220V) 0.25W (110V) 100 ~240VAC
RF	Frequency Regulation Distance	908.42(Taiwan USA)/868.42 (EU) MHz/921.42(AU) MHz FCC part15.249 / EN300 220-1/ min. 30m indoor min. 70m outdoor
Mechanical	weight Dimension (W x H x D)	24.6 g 40.6x36.8x17.15 mm
Environment	Operation Temperature Humidity	0 ~ 40° C 85%RH max

 EVERSPRING GROUP

Chromagic Technologies Corporation

Dimension and Placement

unit:mm



<p><b>Application:</b> Home Automation</p>	
--	--